

INSD05IRCF

5MP HD over Coax Fixed Dome

- 2.8 mm Fixed lens; Max 25 fps at 5MP (16:9 video output)
- CVI / CVBS / AHD / TVI switchable
- Max. IR length 30m, Smart IR
- IP67, IK10, DC12V

Unify your Security Solution

The HD over Coax technology can support up to 4 signals transmitted over coaxial cable. With the dual-way data transmission the HD over Coax camera can interact with the STORM DVR by alarm triggers or control signals.

Long Distance Transmission

Long-distance and real-time transmission without any loss. It supports up to 700m for 1080P Full HD video via coaxial cable, and up to 300m via UTP cable.

Smart IR

The camera is designed with IR LED illumination for best lowlight performance. Smart IR is a technology to ensure brightness uniformity in B/W image under low illumination.

HD over Coax



*Design and specifications are subjects to change without notice.



INSD05IRCF

5MP HD over Coax Fixed Dome

Product Specifications

Camera					
Image Sensor	1/2.7" 5 Megapixel progressive CMOS				
Effective Pixels	2880 (H) × 1620 (V)				
Scanning System	Progressive				
Electronic Shutter Speed	PAL: 1/25~1/100,000s NTSC: 1/30~1/100,000s				
Minimum Illumination	0.005 Lux / F1.6, 30IRE, 0 Lux IR on				
S/N Ratio	More than 65 dB				
IR Distance	Up to 30 m (98.4 ft)				
IR LEDs	12				
Camera Features					
Day/Night	Auto switch by ICR				
Backlight Compensation	BLC / HLC / DWDR				
White Balance	Auto/Manual				
Gain Control	AGC				
Noise Reduction	2D NR				
Smart IR	Yes				
Lens					
Lens Type	Fixed				
Mount Type	M12				
Focal Length	2.8 mm				
Max. Aperture	F1.6				
Viewing Angle	H: 111° V: 58°				
Pan/Tilt/Rotation	Pan: 0° ~ 355°; Tilt: 0° ~ 65°; Rotation: 0° ~ 355°				
DORI Distance	Lens	Detect	Observe	Recognize	Identify
	2.8mm	63.6 m (208.7 ft)	25.4 m (83.3 ft)	12.7 m (41.7 ft)	6.4 m (21.0 ft)
Video					
Frame Rate	PAL: 5M at 25 fps; 4M at 25 fps; 1080P at 25 fps NTSC: 5M at 25 fps; 4M at 30 fps; 1080P at 30 fps PAL: 4M at 25 fps; NTSC: 4M at 30 fps PAL: 4M at 25 fps; NTSC: 4M at 30 fps PAL: 960H; NTSC: 960H				
Resolution	5M (2880 × 1620); 4M (2560 × 1440); 1080P (1920 × 1080); 960H (960 × 576/960 × 480)				

*Design and specifications are subjects to change without notice.



INSD05IRCF

5MP HD over Coax Fixed Dome

Product Specifications

Port	
Video Output	Video output choices of CVI / TVI / AHD / CVBS by one BNC port
General	
Power Supply	12V \pm 30% DC
Power Consumption	Less than 3.5W
Working Environment	-40°C to +60°C (-40°F to 140°F); Less than 95% (non-condensation)
Protection	IP67; IK10
Dimensions	ϕ 109.9 mm \times 81.0 mm (ϕ 4.33" \times 3.19")
Weight	0.99 lbs (0.45 kg)

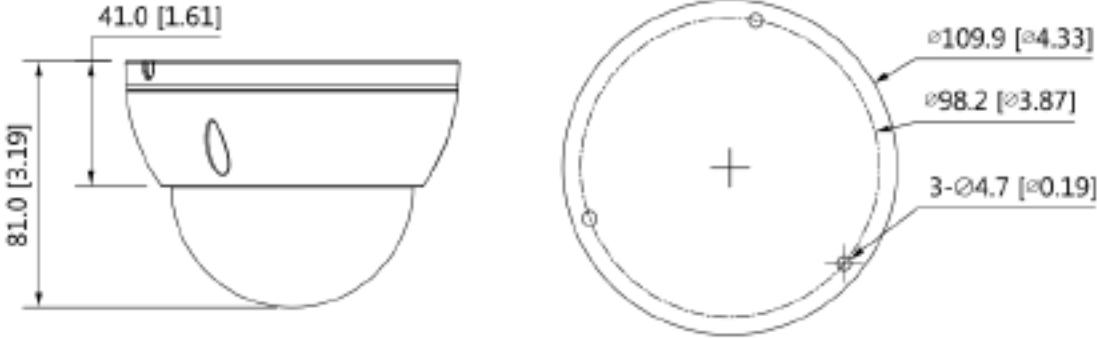
*Design and specifications are subjects to change without notice.



INSD05IRCF

5MP HD over Coax Fixed Dome

Product Specifications



INSX136
Junction Box



INSX203
Wall Mount






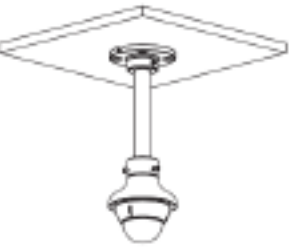
INSX152
Pole Mount



INSX106
Mount Adapter



INSX220C
Ceiling Mount

Junction Mount	Wall Mount	Pole Mount
INSX136	INSX203	INSX203 + INSX152
		
Ceiling Mount		
INSX106 + INSX220C		
		

*Design and specifications are subjects to change without notice.

